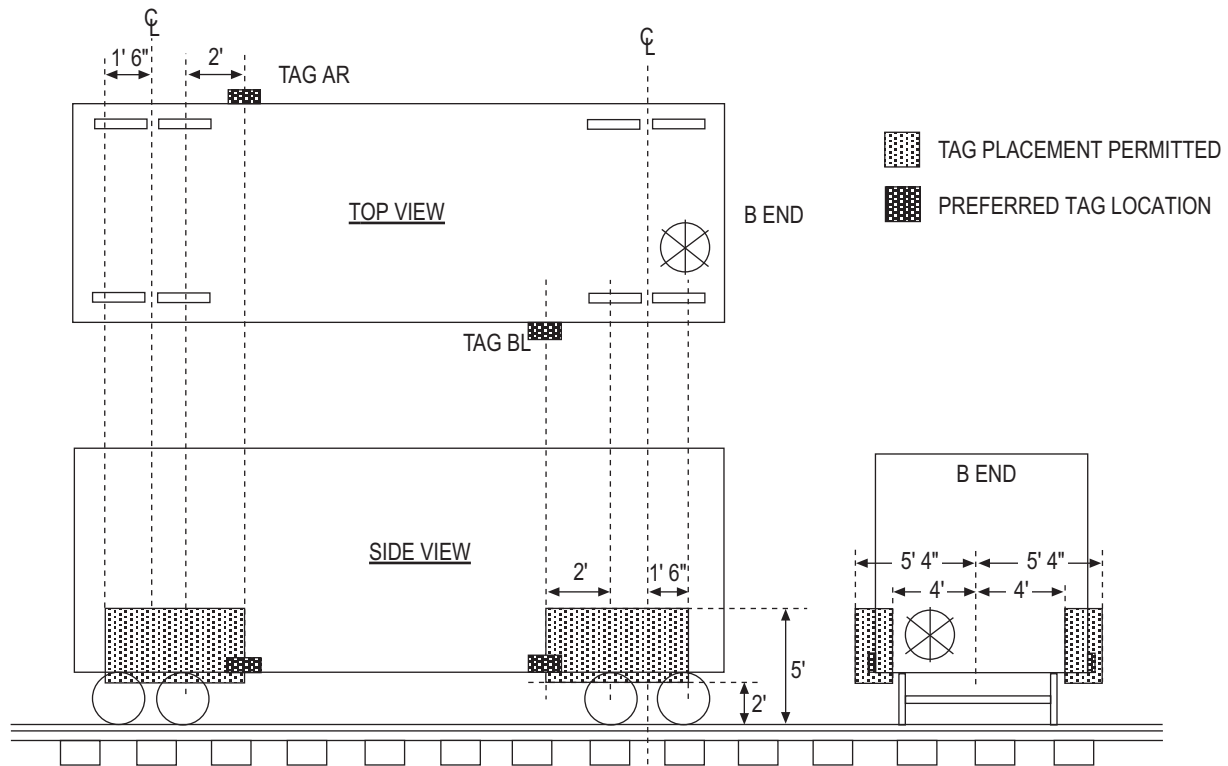


**EXHIBIT A**

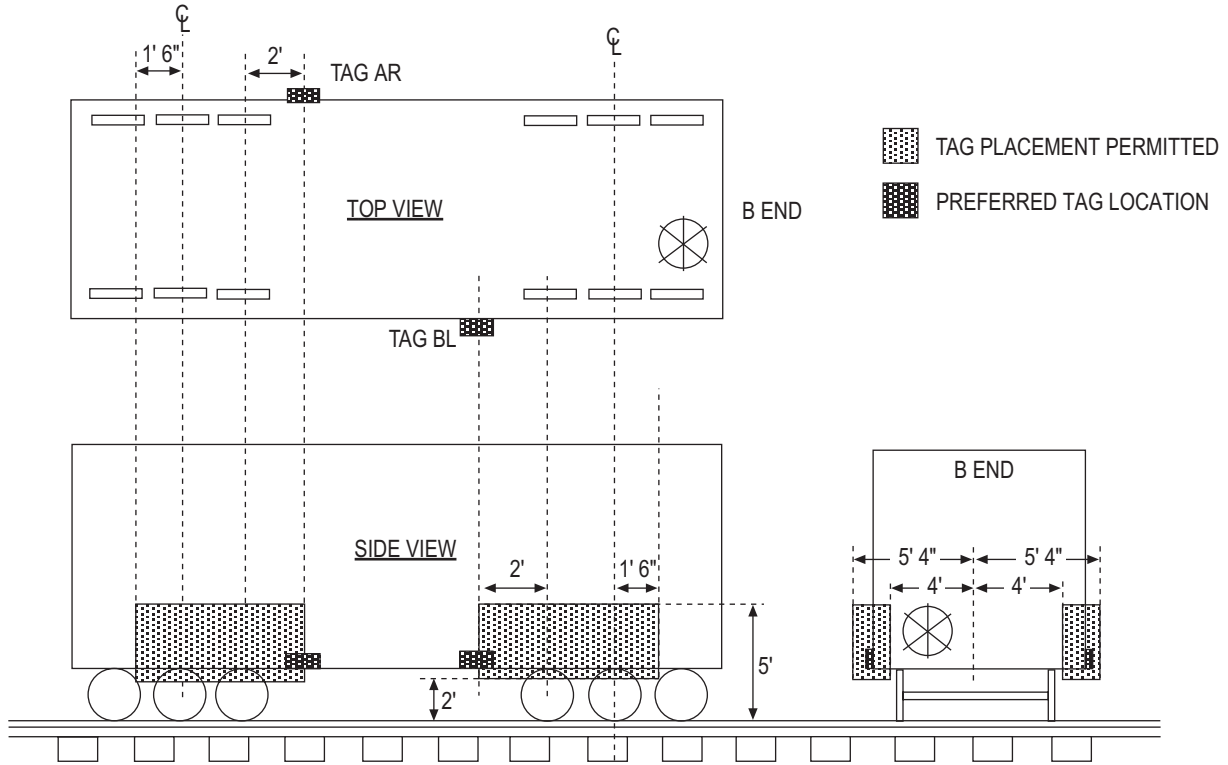
**AEI TAG PLACEMENT WINDOW—4-AXLE RAIL AND PASSENGER CARS**



IMPLEMENTED 08/2012

**EXHIBIT A (CONTINUED)**

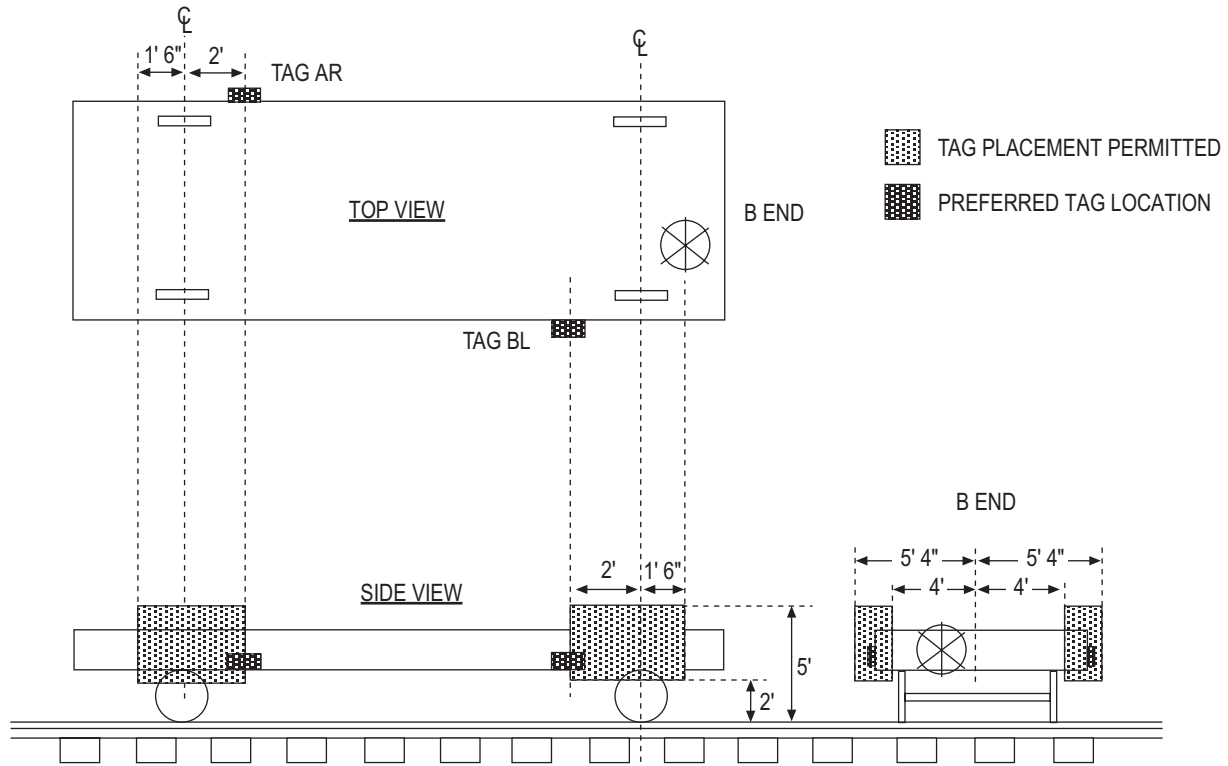
**AEI TAG PLACEMENT WINDOW—6-AXLE RAIL AND PASSENGER CARS**



IMPLEMENTED 08/2012

**EXHIBIT A (CONTINUED)**

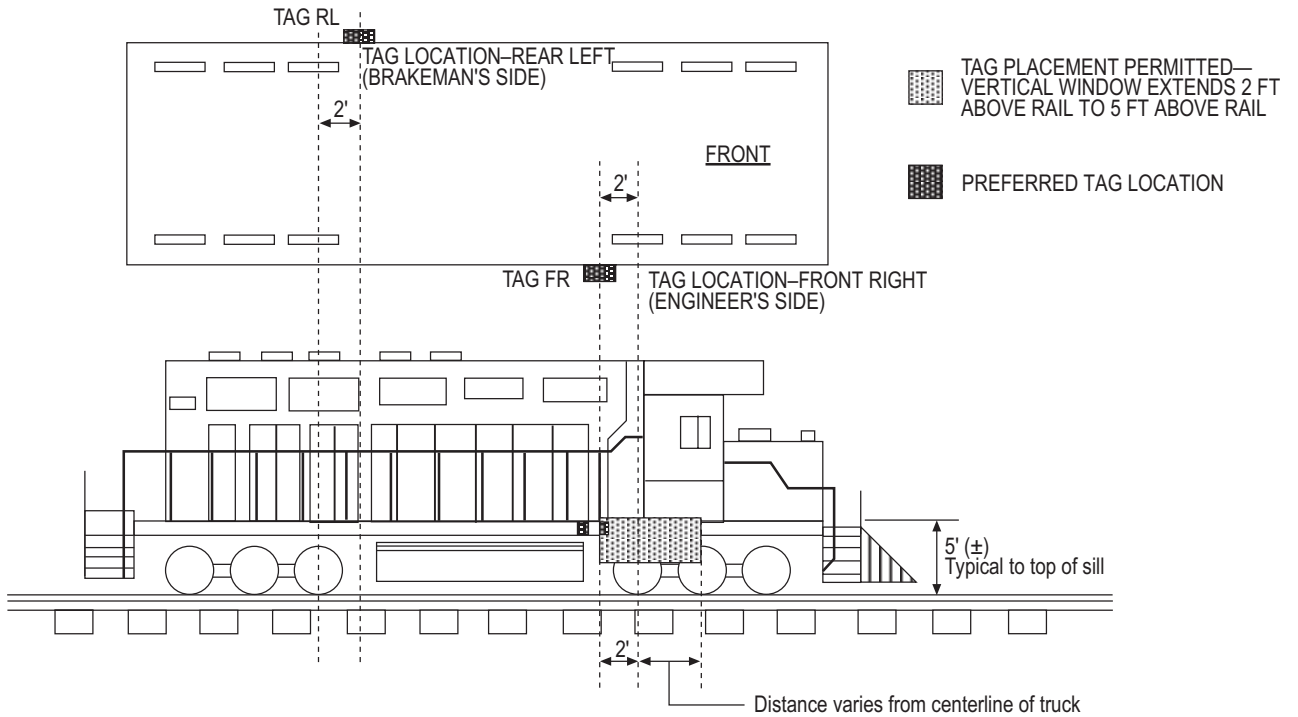
**AEI TAG PLACEMENT WINDOW—2-AXLE RAILCAR**



IMPLEMENTED 08/2012

**EXHIBIT B**

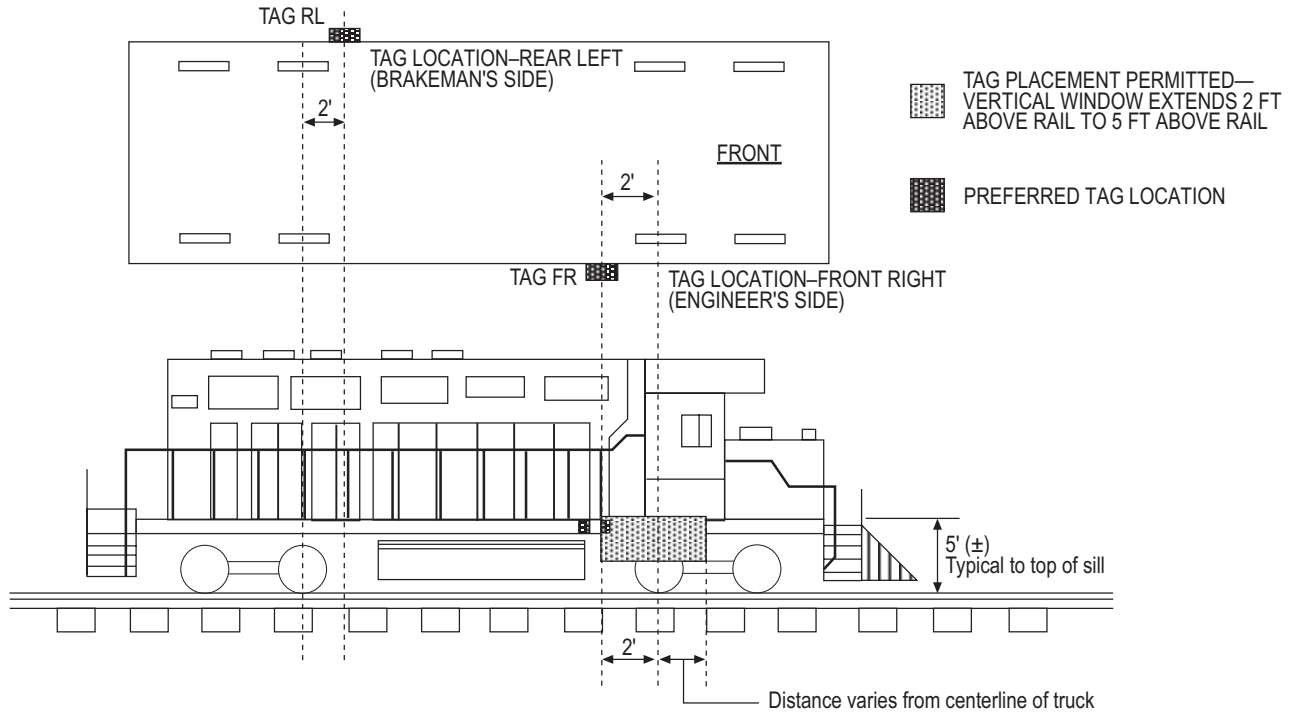
**AEI TAG PLACEMENT WINDOW—6-AXLE LOCOMOTIVE**



IMPLEMENTED 08/2012

**EXHIBIT B (CONTINUED)**

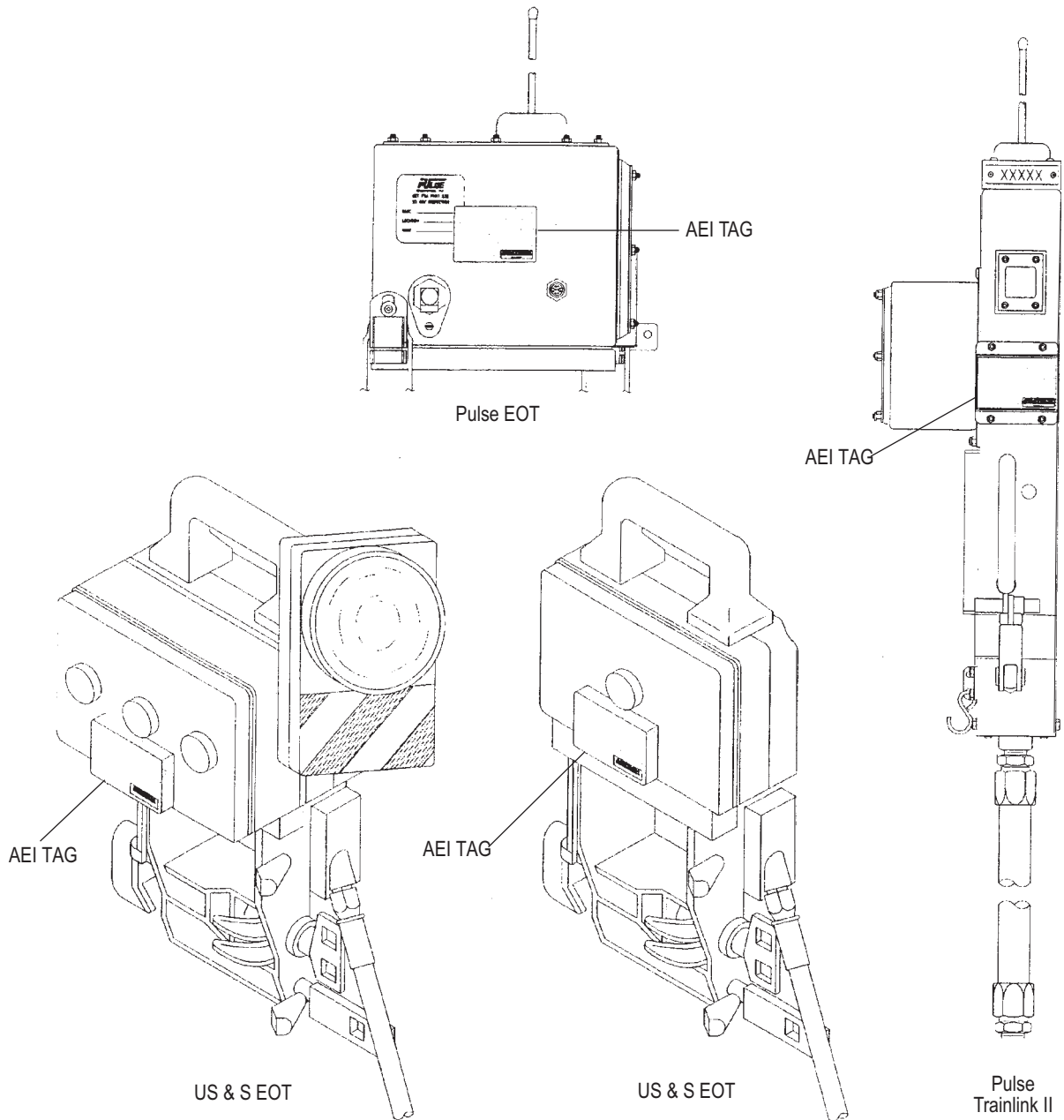
**AEI TAG PLACEMENT WINDOW—4-AXLE LOCOMOTIVE**



IMPLEMENTED 08/2012

**EXHIBIT C**

**TAG LOCATION—END-OF-TRAIN DEVICES**



IMPLEMENTED 08/2012